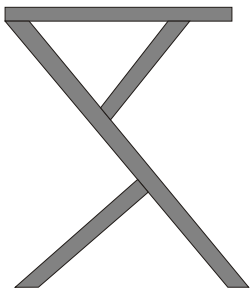
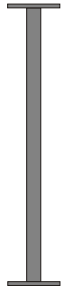


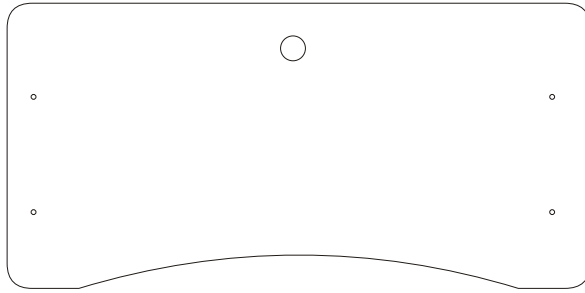
ATTURO PRO/PRO2 DESK - ASSEMBLY INSTRUCTIONS



A x 2



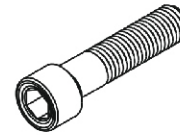
B x 1



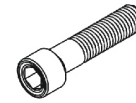
C x 1



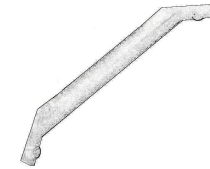
D x 4



E x 8



F x 2



G x 2

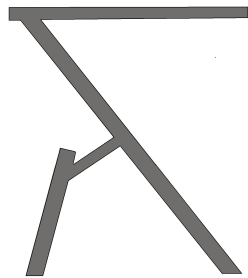


H x 1

or

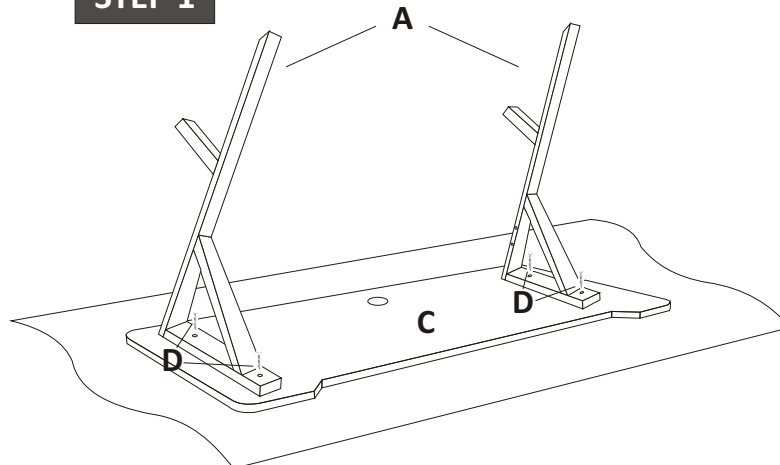


I x 2



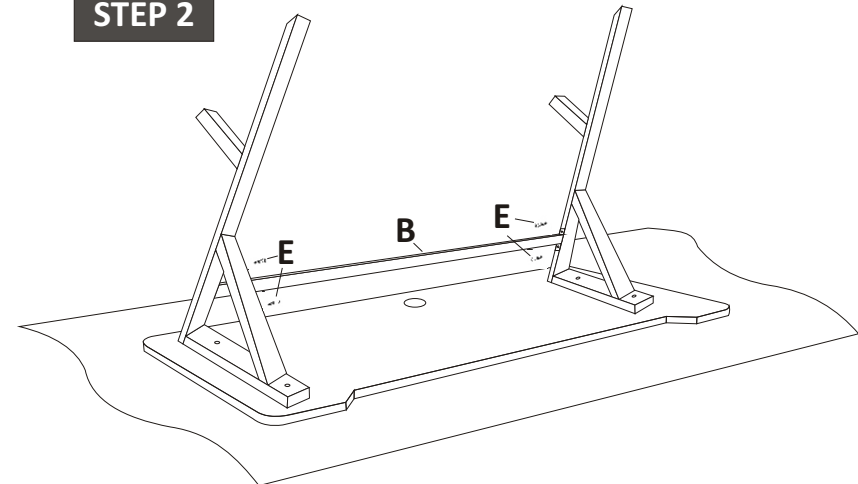
A x 2

STEP 1



Connect parts A to part C with screws D.
Place part C on a soft surface (blanket, towel etc.)
to prevent scratching the surface.

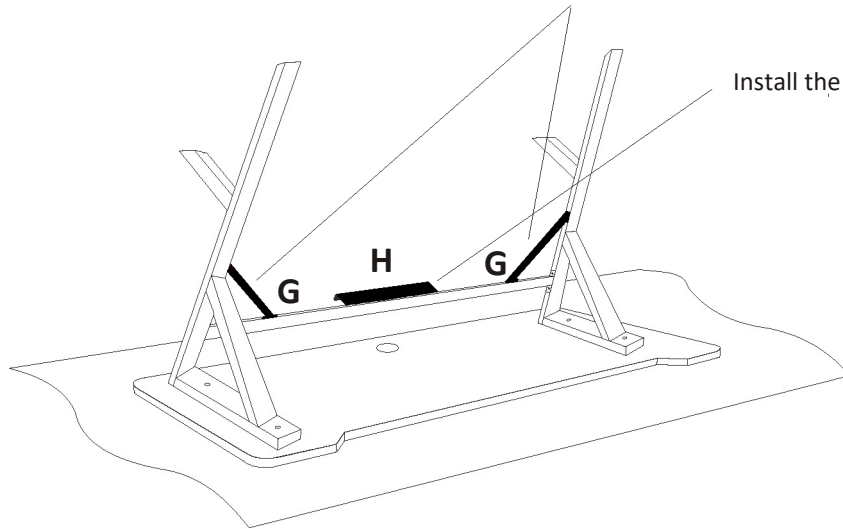
STEP 2



Connect part B to parts A with screws E. Do not tighten
the screws completely.

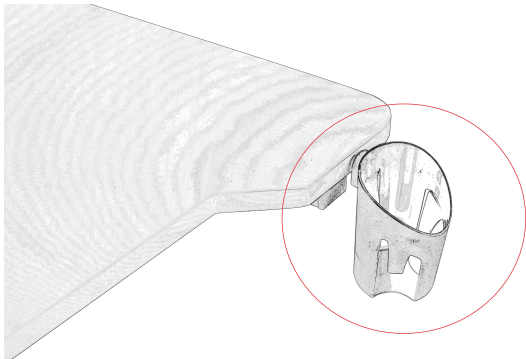
STEP 3

Install with screws E the supports G on both sides, connecting parts A and B. Then, tighten the screws from step 2.



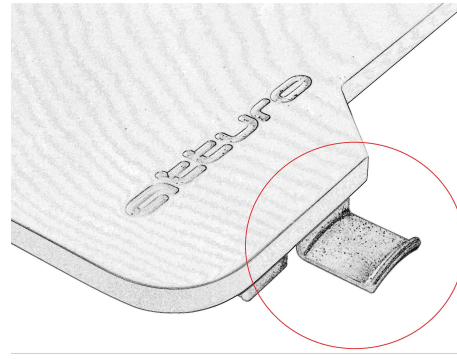
Install the power strip channel H in the center of part B using screws F

STEP 4



Install the cup holder on the mounting screw on the right side of the front desk edge

STEP 5



Screw the headphones holder to the pre-drilled holes in the underside of the desk using "1" wood-screws.

STEP 6 Atturo Pro/Pro2 LED only

Connect LED power supply with the LED stripe and plug it in.