
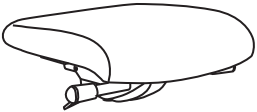

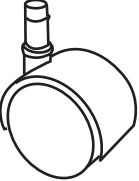
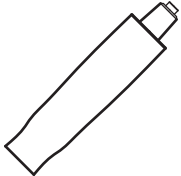

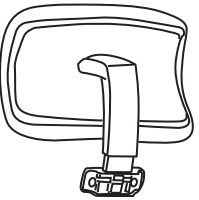



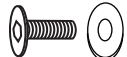


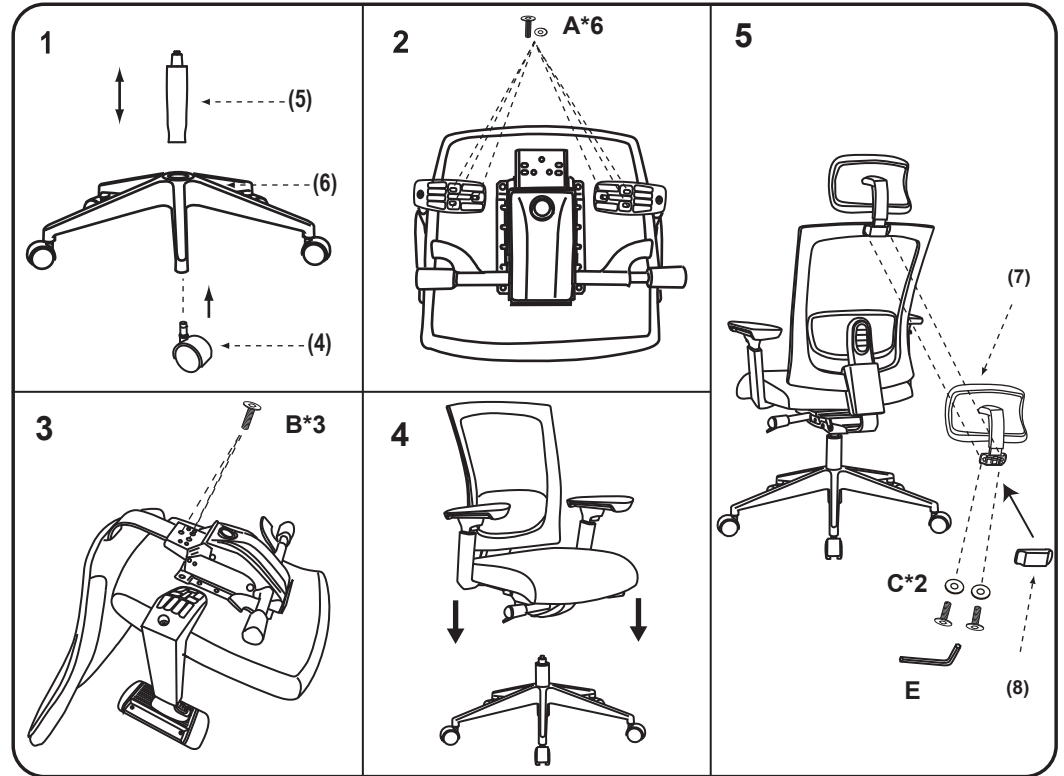


MODEL: CYM47HR-8

(1)x1	(2)x1	(3)x1 (L)x1 (R)
		
Back Cushion	Seat Cushion & Mechanism	Left-Arm Right-Arm
(4)x 5	(5)x1	(6)x1
		
Caster	Gas Lift	Base
(7)x1	(8)x1	
		
(A)*6		M6*36 Arm Screws
(B)*3		M8*18 Back Bar Screws
(C)*2		M6*14 Headrest Screws
(D)*1		(E)*1 



Insert and loosely tighten all screws. When assembly is completed, fully tighten all screws before using. This chair is only intended for sitting. Any other use will void the warranty.

